

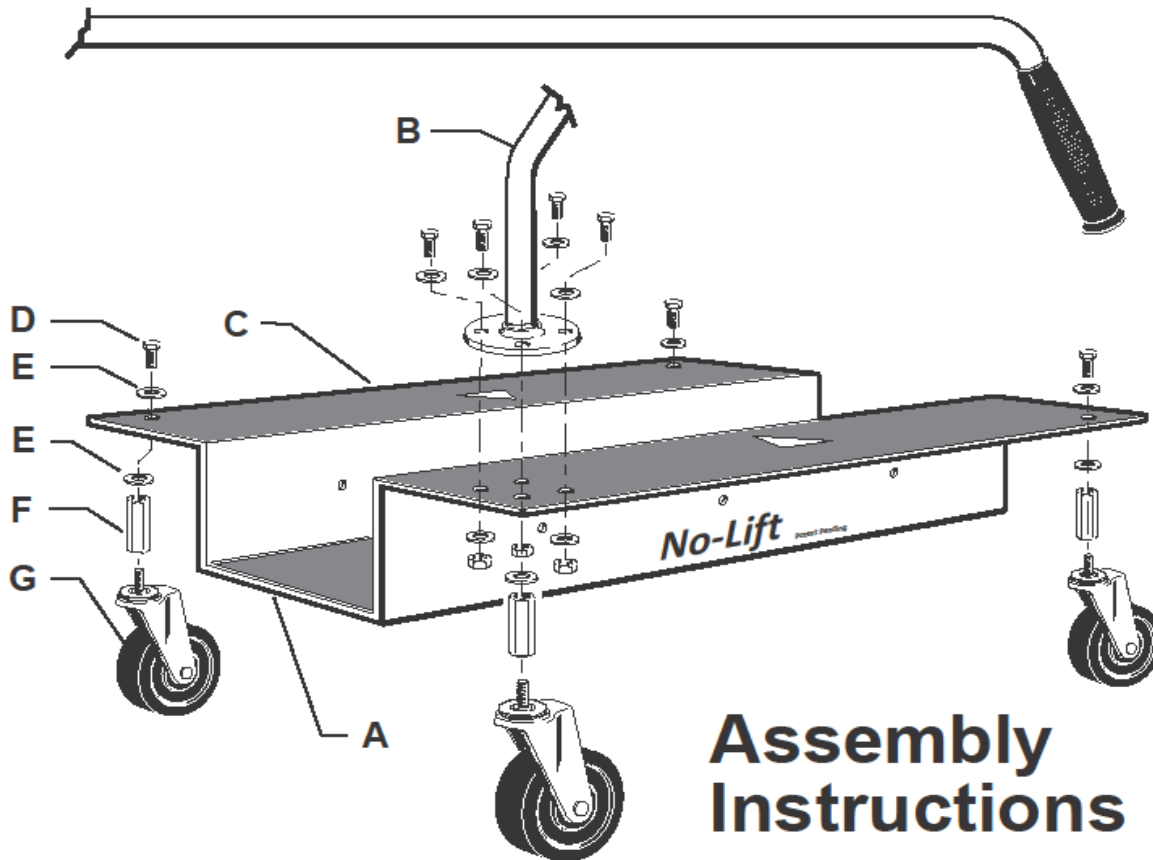
The handle **B** is the only item that requires assembly on the “No-Lift” empty pallet mover.

All hardware is supplied in place.

Tools needed: 5/8ths and 9/16ths wrenches.

Remove all four bolts (remembering that the wheel goes closest to the corner).

Install a washer above the handle base flange and below the base and then tighten the nuts & bolts.



Assembly Instructions